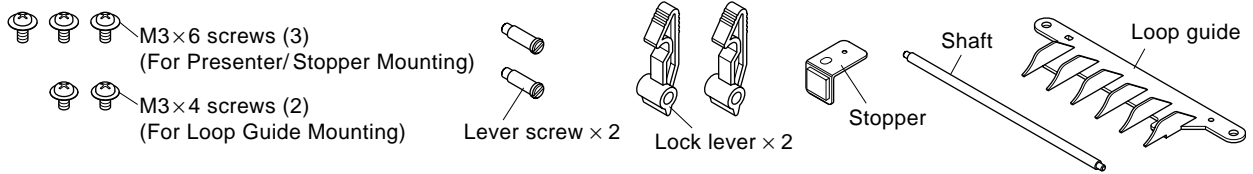


Mounting the Presenter PR921

1. Opening the Package : Check that all of the accessories are included.



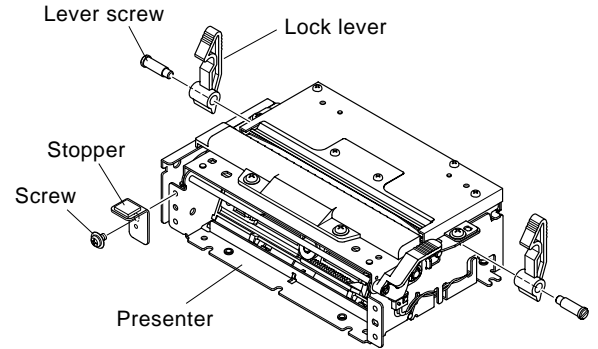
2. Mounting Procedures :

2-1 Mounting the Lock Lever

Screw in the two lock levers into the presenter with the two lever screws.

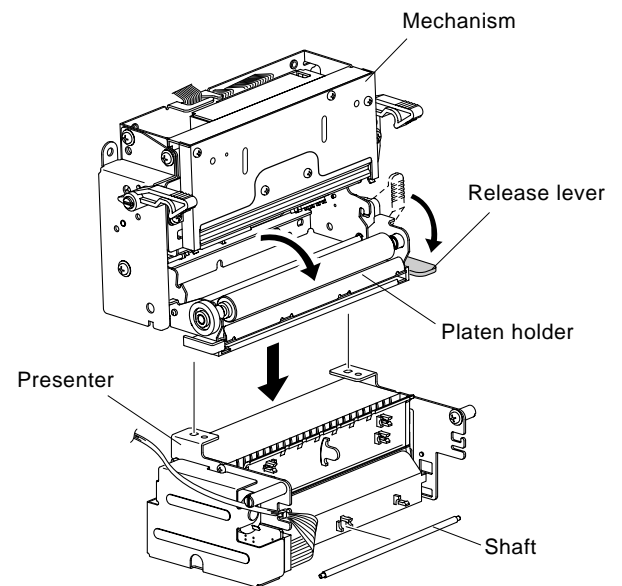
2-2 Mounting the Stopper

Screw in the stopper into the presenter with the screw.

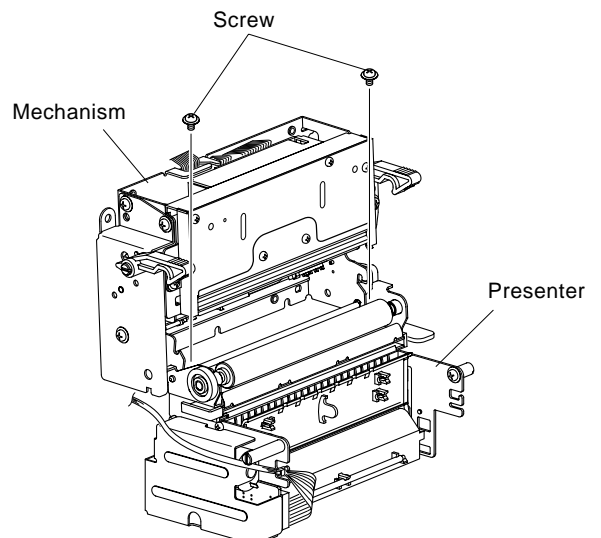


2-3 Mounting the Presenter

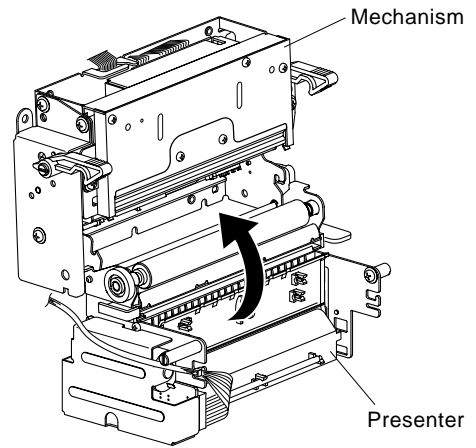
- ① Install the shaft in the presenter.
- ② Lay the release lever on the mechanism side down and open the mechanism platen holder toward the direction of the arrow.
- ③ Position the screw holes, as shown in the figure, and place the mechanism on top of the presenter.



- ④ Fasten the presenter to the mechanism using the two screws.



- ⑤ Lift the presenter in the direction of the arrow to close.



- ⑥ Close the right and left sides lock shafts with the lock lever.
- ⑦ It is recommended that the presenter cable be set in the position shown in the drawing on the mechanism side using the Fastener.
(Customers must supply the Fastener.)

Note: Set the Fastener after checking that the cable is not pinched when opening or closing the presenter.

- ⑧ If a loop guide is necessary, mount it to the mechanism using the two screws.

